

Capillary electrophoresis system Capel-105M



Dr. Vadim M. Okun

WWW.LUMEX.RU

ANALYTICAL EQUIPMENT



ISO 9001:2000
Reg. №: Q-04.04.18

Features, which make any CE device a “commercial CE system”

- Precisely controlled pressure injection
- *Thermostatic* cooling of the capillary
- Highly reproducible and stable voltage
- Optical scheme, independent from electronic noise and surrounding light

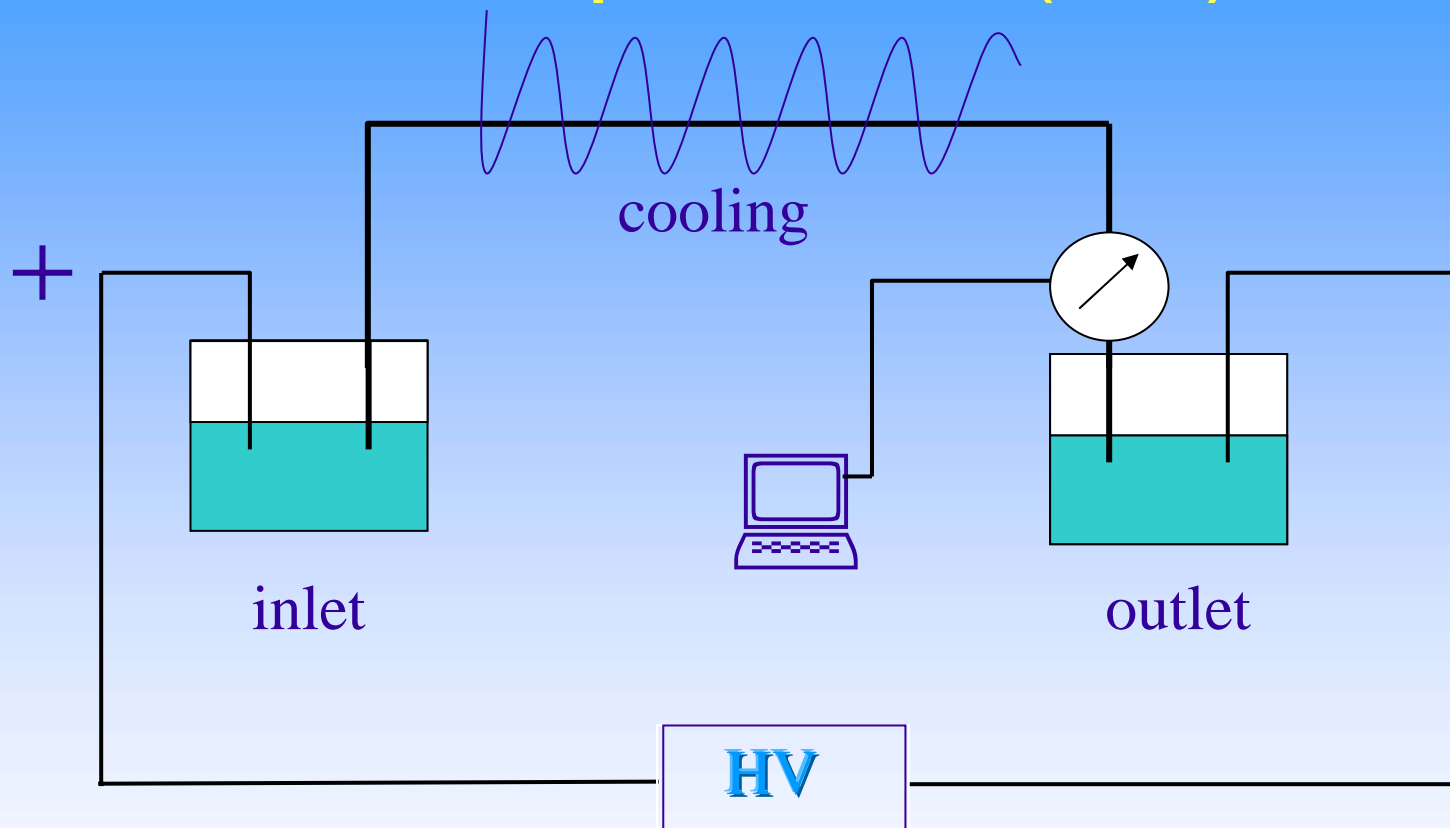


WWW.LUMEX.RU

ANALYTICAL EQUIPMENT



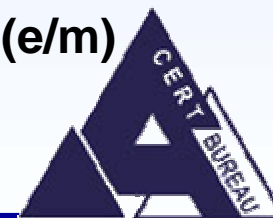
General scheme of capillary electrophoresis (CE)



Separation is due to the differences in charge-to-mass ratio (e/m)



ANALYTICAL EQUIPMENT



ISO 9001:2000
Reg. №: Q-04.04.18

Capel-105M

Main advantages of the hardware

- ✓ System control and data acquisition from PC
- ✓ Liquid cooling (thermostating) of the capillary. Cooling agent is water.
- ✓ Extended low pressure mode – up to 99 mbar. Option to apply pressure at the same time with high voltage during analysis.
- ✓ Easy-to-change capillary
- ✓ Spectra scanning mode
- ✓ Small size, low noise.



WWW.LUMEX.RU

ANALYTICAL EQUIPMENT



ISO 9001:2000
Reg. №: Q-04.04.18

Capel-105M

Technical data

- High voltage – up to 25 kV
- Current limit – 200 μ A
- Detection – spectrophotometer 190 – 380 nm
- Capillary thermostating – from 10°C below ambient to 30°C above ambient
- Autosampler with two independent carousels of 10 vials each – multiple injections, buffer replenishment, fraction collection



WWW.LUMEX.RU

ANALYTICAL EQUIPMENT



ISO 9001:2000
Reg. №: Q-04.04.18

Capel-105M

Software ELFORUN – basic requirements

- ✓ Both parts – *controlling* and *data acquisition / integration* must be incorporated into one software
- ✓ Hardware potentials must be fully covered
- ✓ Demonstrate only the information which is needed, however completely
- ✓ Provides logics and clarity in analysis programming
- ✓ Match basic GLP principles, e.g. **the whole information about analysis is included into the final report and can not be changed!**



WWW.LUMEX.RU

ANALYTICAL EQUIPMENT



ISO 9001:2000
Reg. №: Q-04.04.18

ELFORUN – features and advantages.

Controlling the instrument

- ✓ Several levels of complexity in analysis programming
- ✓ *Stages in Analysis* permit to program very complex analysis schemes
- ✓ Various abilities for customers to toggle between options
- ✓ Specially designed to operate with viscous solutions
- ✓ Spectra scanning mode is incorporated in *Analysis*



WWW.LUMEX.RU

ANALYTICAL EQUIPMENT



ELFORUN – features and advantages.

Data acquisition / integration

- ✓ Autosampler configuration and all pre-analysis steps are saved in analysis file
- ✓ Multi-component calibration based on numerous points
- ✓ Data integration based on two different approaches
- ✓ Electropherograms / spectra can be overlaid and mutually re-calculated

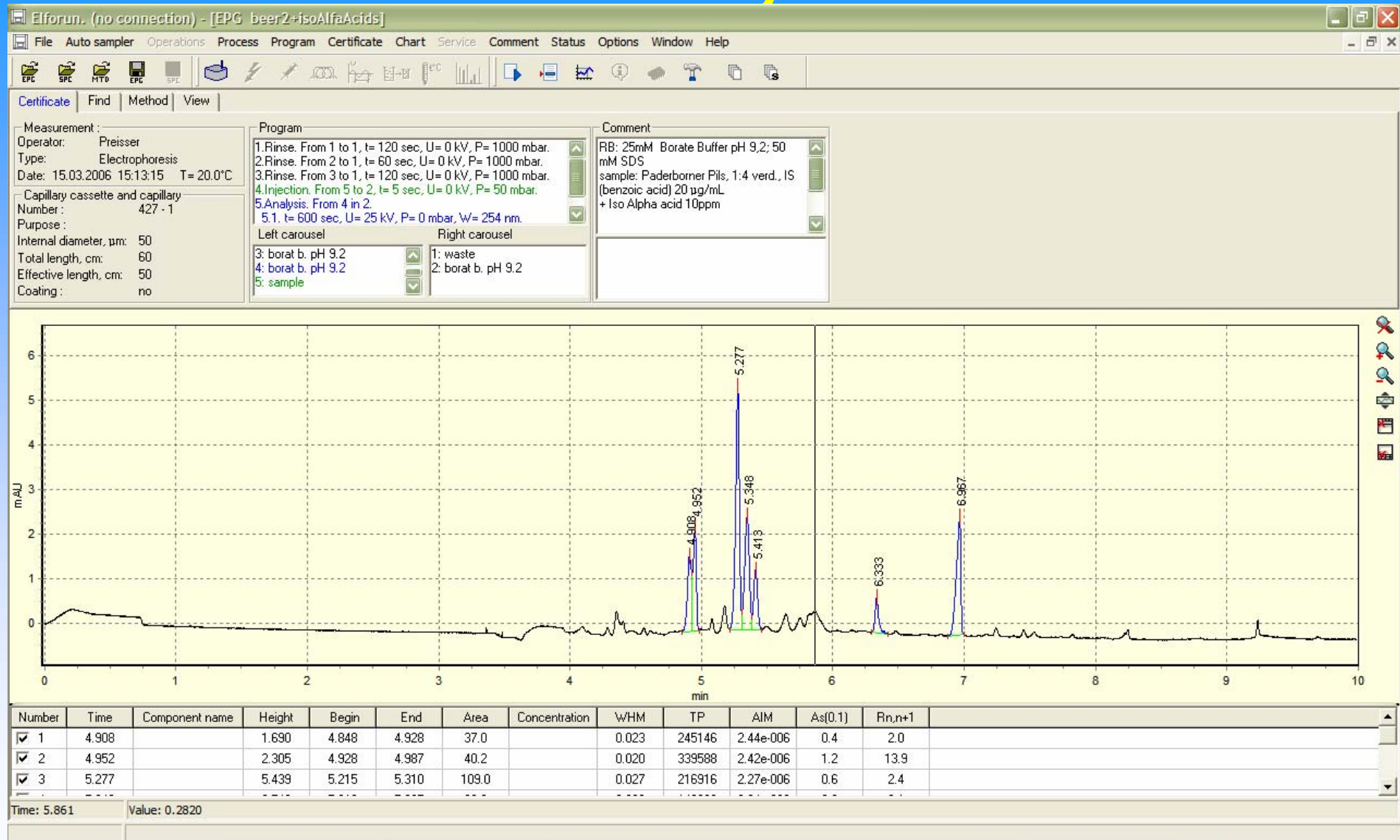


WWW.LUMEX.RU

ANALYTICAL EQUIPMENT



Saved analysis file



WWW.LUMEX.RU

ANALYTICAL EQUIPMENT



ISO 9001:2000
 Reg. №: Q-04.04.18